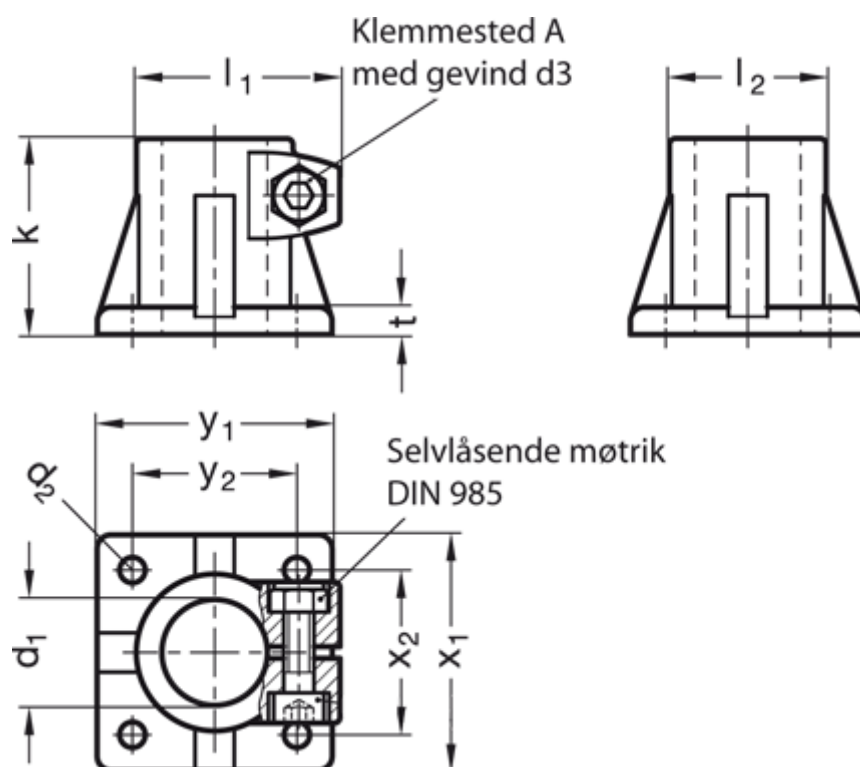


Article number: 20163B601002SW

Description: E+G

Base plate clamp GN163-B60-100-2-SW

Measures



Adjustable clamp lever = GN 911-M10-50 have to be ordered separately

| | |
|----|--------|
| d1 | = B60 |
| d2 | = 11.0 |
| d3 | = M10 |
| k | = 100 |
| l1 | = 92.0 |
| l2 | = 80 |
| t | = 14 |

| |
|----------|
| x1 = 125 |
| x2 = 89 |
| y1 = 125 |
| y2 = 89 |